

FOUNDERS RIDGE
APPROVED FENCE @ 1224 ST. WTS

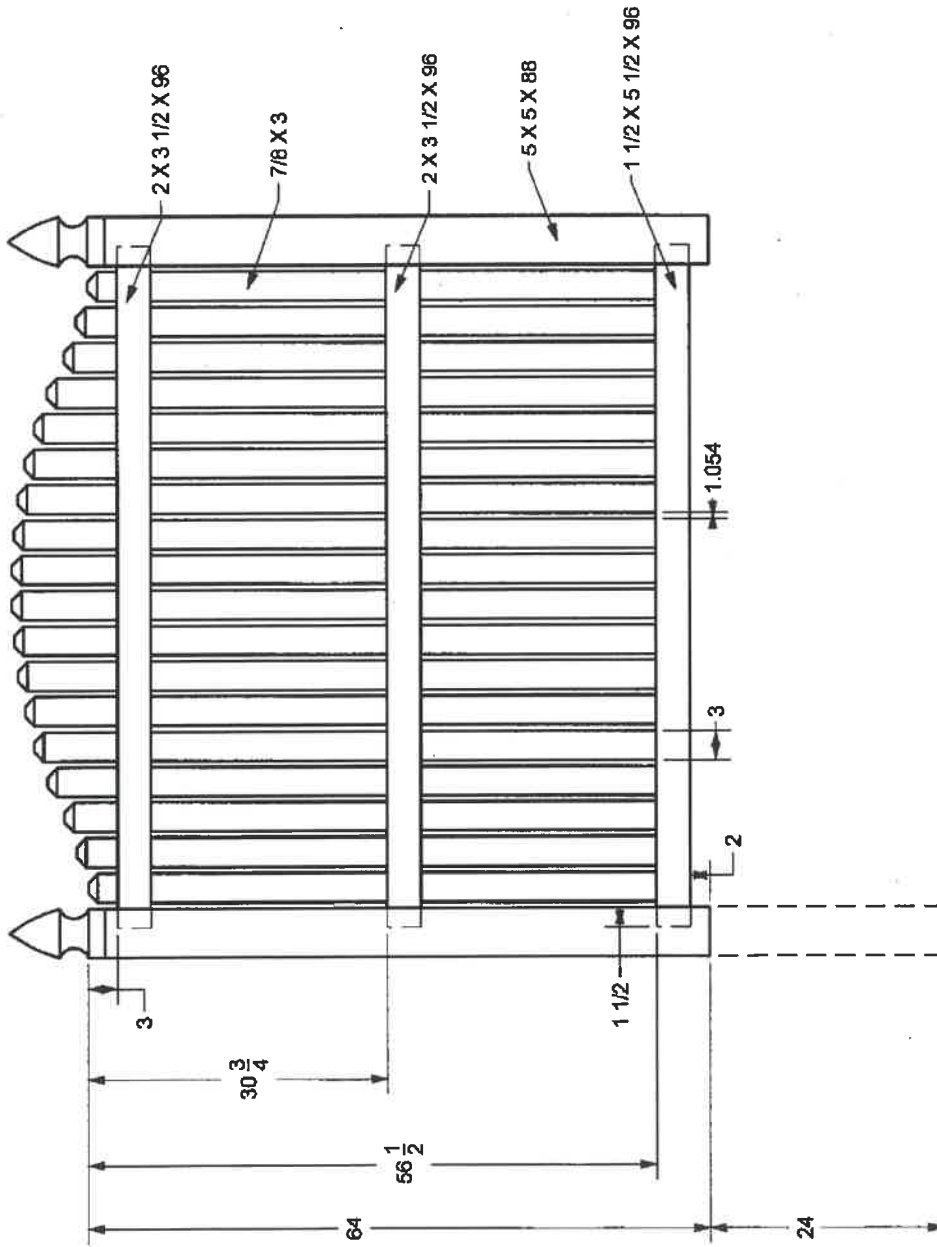
12/26/20



FOUNDERS RIDGE

ARMED FENCE 0126 ST WTS

12/26/20



PART #	QTY	DESCRIPTION
1	1	7/8 X 3 X 63 7/8
2	2	7/8 X 3 X 63 1/2
2	2	7/8 X 3 X 63 1/4
2	2	7/8 X 3 X 62 7/8
2	2	7/8 X 3 X 62 3/8
2	2	7/8 X 3 X 61 3/4
2	2	7/8 X 3 X 61 1/8
2	2	7/8 X 3 X 60 1/2
2	2	7/8 X 3 X 58 3/4
2	2	7/8 X 3 X 58
2	2	7/8 X 3 X 58 1/8
2	2	7/8 X 3 X 57 1/4
1	1	U STIFFENER
1	1	1 1/2 X 5 1/2 X 96
2	2	5 X 5 GOT-HC CAP
2	2	5 X 5 X 86
2	2	2 X 3 1/2 X 96
23	23	7/8 X 3 X DOG EAR CAP

S & W FENCE CO.

SCALLOP OVER 72" WITH 1" GAP

PHONE (402) 333-5722 * FAX (402) 333-5782
15801 Pacific Street * Omaha, NE 68118
Web Site: www.sw-fence.com

#: SW72SOW-1-8
REV : 2/25/2014
DWG NUMBER 21

SCALE : 1 : 1
Property of

SHEET 1 OF 1